



# ELD10UNVL

## 10 watt LED Emergency Driver

- Universal (120-277V) Input Voltage
- UL Listed (Field Installation)
- Class 2



Performance	
Input Voltage	120 ~ 277 Vac ± 10%
Input Frequency	50/60 (Hz)
Output Voltage	15 - 50VDC
Output Power	10W
Illumination Time	90 minutes
Recharge Time	24 hours
Temp. Rating (Ambient)	0°C to 55°C (32°F to 131°F)
Battery	High Temperature, Maintenance-Free Nickel-Cadmium Battery

Physical	
Length	14.5 in (369 mm)
Width	2.25 in (58 mm)
Height	1.18 in (30 mm)
Mounting   Center	14 in (356 mm)
Weight (lbs)	2.3

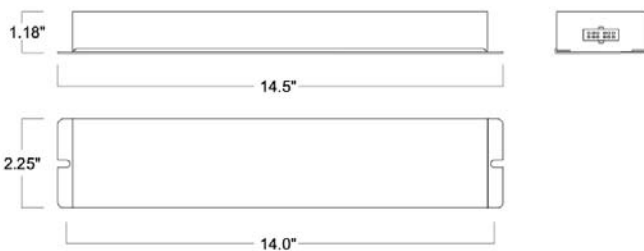
### Safety:

UL Listed to UL924 and tested to CSA 22.2, No. 141  
 Factory or field installation (Indoor and Damp)  
 Output Class 2 Compliant  
 Meets CEC Title 20 efficiency standards

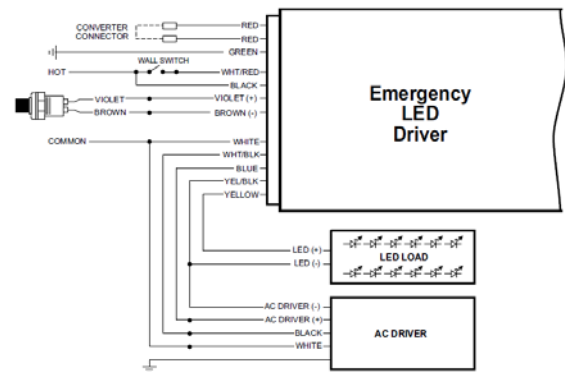
### Ordering Information

Order Number	Description	Qty/Carton
ELD10UNVL0001	LED Emergency Driver	10

### Dimensions



### Wiring Diagram:



Application and operation performance specification information subject to change without notification.



# ELD10UNVL

---

FCC Statement: This device complies with part 15 of the FCC Rules. Operation is subject to the following two conditions: (1) This device may not cause harmful interference, and (2) this device must accept any interference received, including interference that may cause undesired operation.

## Application

The ELD10UNVL universal input (120-277 V) emergency LED driver works in conjunction with an AC LED driver that has an output current not to exceed 3.0 A. The emergency driver consists of a high-temperature nickel-cadmium battery, charger and electronic circuitry in one case. The ELD10UNVL can deliver up to 10 watts to an LED load (measured at nominal battery voltage) for 90 minutes. If used in an emergency-only fixture, no AC driver is necessary. The ELD10UNVL is suitable for indoor and damp locations. For more information about specific LED and AC driver compatibility, please call the factory.

## Operation

When AC power fails, the ELD10UNVL immediately switches to the emergency mode, operating the LEDs at a reduced lumen output for a minimum of 90 minutes. When AC power is restored, the emergency driver automatically returns to the charging mode.

## Installation

The ELD10UNVL does not affect normal fixture operation and may be used with either a switched or unswitched fixture. If a switched fixture is used, an unswitched hot lead must be connected to the emergency driver. The emergency driver must be fed from the same branch circuit as the AC driver. Per UL requirements, the polycarbonate ELD10UNVL must be enclosed if remote mounted outside of the fixture. Installation is not recommended with fixtures where the ambient temperature may fall below 0° C. The product is suitable for installation in sealed and gasketed fixtures.

## Emergency Illumination

The ELD10UNVL operates an LED load of up to 10.4 W at nominal battery voltage for a minimum of 90 minutes.

## Specification

Emergency lighting shall be provided by using a LED fixture equipped with a Universal Lighting ELD10UNVL universal input (120-277 V) emergency driver. This emergency driver shall consist of a high-temperature, maintenance-free nickel-cadmium battery, charger and electronic circuitry contained in one case. An illuminated test switch (ITS) to monitor charger and battery and installation hardware shall be provided. The emergency driver shall be capable of delivering up to 10.4 watts to an LED load for a minimum of 90 minutes. The ELD10UNVL is suitable for indoor and damp locations. The ELD10UNVL shall have a maximum of 4.0 watts of input power and a 24.0 Watt-hour battery capacity and shall comply with emergency standards set forth by the current NEC. This device complies with Part 15 of the FCC Rules and meets CEC Title 20 (California Energy Commission) efficiency standards. The emergency driver shall be UL Listed.

## Warranty

Universal Lighting Technologies warrants to the purchaser that each power supply will be free from defects in material or workmanship for a period of 5 years from the date of manufacture when properly installed per instructions and under normal operating conditions of use. Call 1-800-225-5278 for technical assistance.



Application and operation performance specification information subject to change without notification.