

# TRIAC/Phase Cut Dimming



Constant Current LED Driver

## Model Number AC40CT1.05KT2Q

Input Voltage: 120VAC (±10%)

Input Frequency: 60Hz

Side Mount/Leads

Dimming: 5 to 100%

Surge Protection: 2KV

Multi-Switching Current

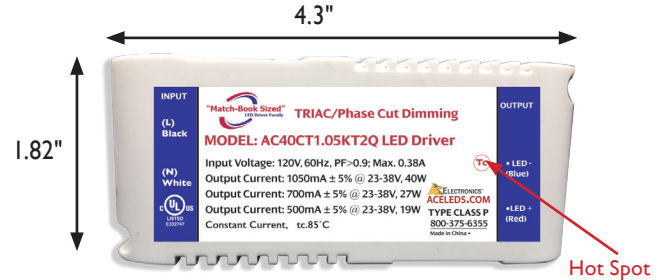
TRIAC Dimming



The Smallest Possible Form Factors™

### PHYSICAL:

Dimensions	
Length	4.3"
Width	1.82"
Height	1.19"
Mounting	4.05"
Weight	0.353 lbs.

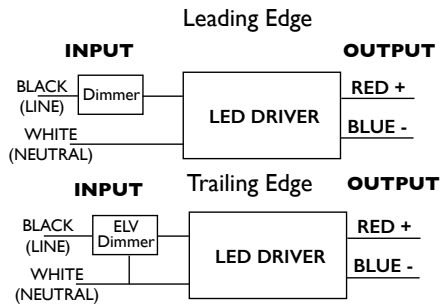


### ELECTRICAL SPECIFICATIONS:

TRIAC Dimming/Class P Listed

Output Power Max.	Input Power	Input Current	Minimum PF (full load)	Max. THD (full load)	Output Voltage	Output Current	T case Max.	Minimum Starting Temp.	IP Rating	Dimming Protocol	Dimming Range	Efficiency Up To
40W	45.3W	0.38A@120V	>0.9	<20	23-38V	1050mA±5%	85° C	0° C	20	Phase Cut	5 to 100%	86%
27W	30.2W	0.25A@120V	>0.9	<20	23-38V	700mA±5%	85° C	0° C	20	Phase Cut	5 to 100%	86%
19W	22.1W	0.18A@120V	>0.9	<20	23-38V	500mA±5%	85° C	0° C	20	Phase Cut	5 to 100%	85%

### WIRING:



### Lead Lengths

Black	6"	Blue	6"
White	6"	Red	6"

Dimmer Compatibility Chart on page 3

### SAFETY & PERFORMANCE:

- Class P Listed
- Class A sound rating
- No PCBs
- Open/Short Circuit Protection
- LED driver has a life expectancy of 50,000 hours at Tcase of ≤75°C
- Warranty: 5 yrs based on max case temp of 75°C\*
- Input/Output Isolation
- Surge Protection (2 KV)
- Title 24 Compatible (Depending on LED)
- FCC part 15 Class B (Without Dimmer)
- Class 2

### INSTALLATION:

- LED drivers shall be installed inside electrical enclosures
- 22 AWG 600V/105C tinned stranded copper lead-wires are required to use in installation
- Max Remote installation distance is 33 ft

\*AC Electronics/AC LED Power Designs warrants to the purchaser that each LED Driver will be free from defects in material or workmanship for a period of 5 years from date of manufacture when operated at max case temp of up to ≤75°C when properly installed and under normal conditions of use. See [aceleds.com](http://aceleds.com) for complete warranty policy.



3401 Avenue D, Arlington, TX 76011 • 800-375-6355 • [www.aceleds.com](http://www.aceleds.com)

Data is based upon tests performed by AC Electronics in a controlled environment and representative performance. Actual performance can vary depending on operating conditions. Specifications are subject to change without notice. All specifications are nominal unless otherwise noted.

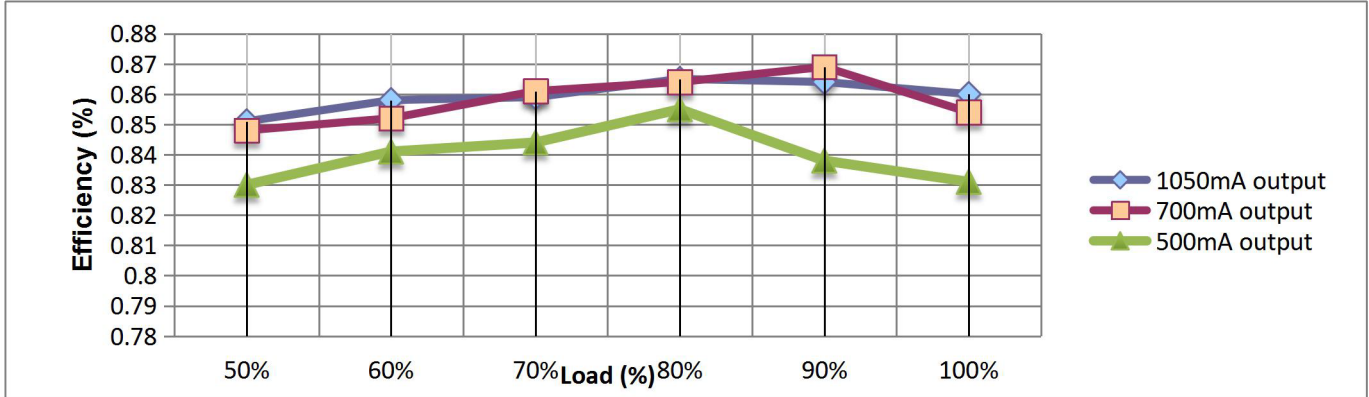




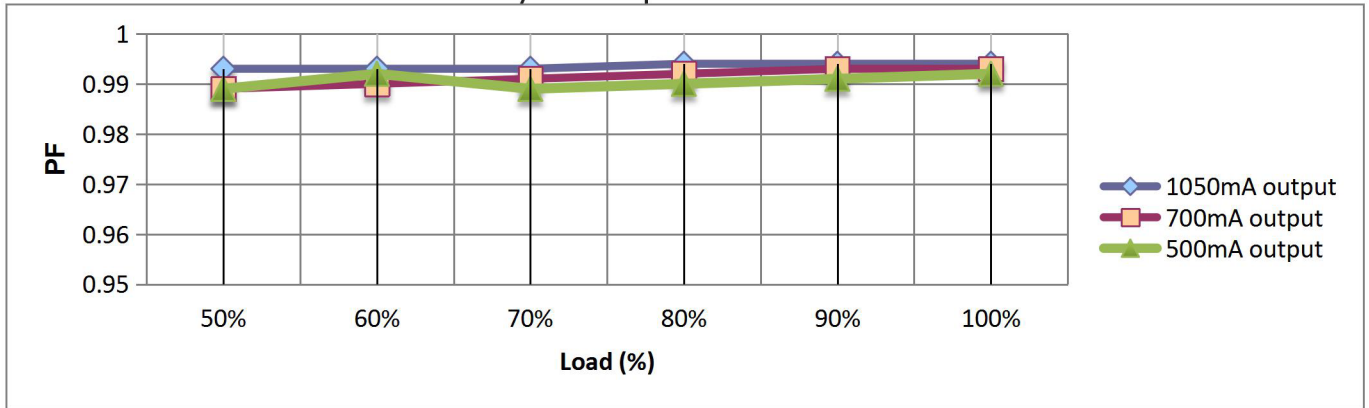
# "Match-Book Sized" LED Driver Family

## The Smallest Possible Form Factors

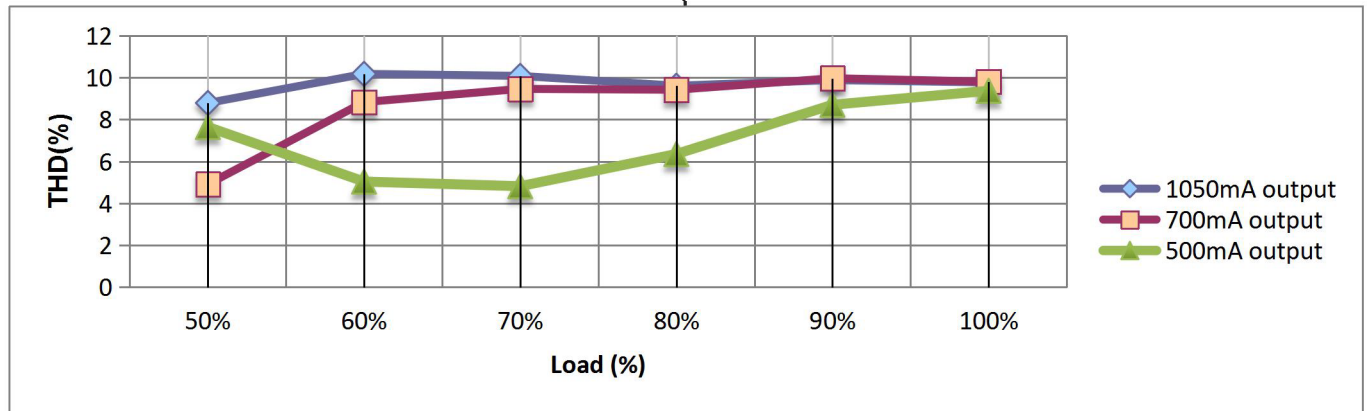
### AC40CT1.05KT2Q



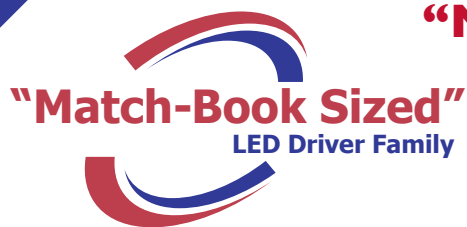
Efficiency Vs. Output Power



Power Factor Vs. Output Power



THD Vs Output Power



**“Match-Book Sized” LED Driver Family**  
**The Smallest Possible Form Factors**  
**AC40CTI.05KT2Q**

<b>Dimmer Compatibility</b>		
<b>Manufacturer</b>	<b>Dimming Type</b>	<b>AC40CTI.05KT2Q</b>
Lutron/Skylark SF-103P	LEADING	YES
Lutron/Skylark S600P	LEADING	YES
Lutron/Skylark DV-103P	LEADING	YES
Lutron/NTLV-600	LEADING	YES
Lutron/DVPDC-203P	LEADING	NO
Lutron/DVCL-153P	LEADING	YES
Leviton/IPI06	LEADING	NO
Leviton/6633-P	LEADING	YES
Leviton/6615-P	TRAILING	YES
Leviton/6684	LEADING	NO
Leviton/6613-P	LEADING	NO
Leviton/RPI06	LEADING	YES
Leviton/6674	LEADING	YES