

TRIAC/Phase Cut Dimming



Constant Current LED Driver

Model Number AC30CT700K4T

Input Voltage: 120VAC (±10%) Dimming: 5 to 100%
 Input Frequency: 60Hz Surge Protection: 2KV
 Side Mount/Leads TRIAC Dimming



The Smallest Possible Form Factors™

PHYSICAL:

Dimensions	
Length	2.88"
Width	1.43"
Height	1.07"
Mounting	2.68"
Weight	0.15 lbs.

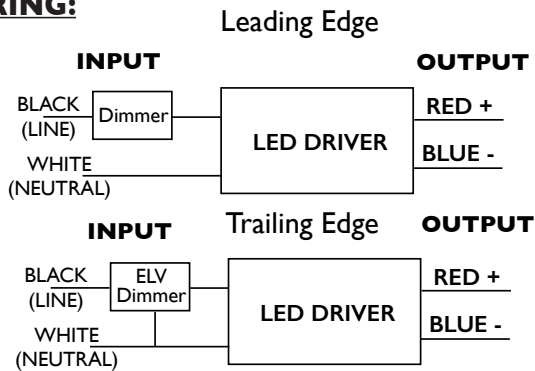


TRIAC Dimming/Class P Listed

ELECTRICAL SPECIFICATIONS:

Output Power Max.	Input Power	Input Current	Minimum PF (full load)	Max. THD (full load)	Output Voltage	Output Current	T case Max.	Minimum Starting Temp.	IP Rating	Dimming Protocol	Dimming Range	Efficiency Up To
30W	33.8W	0.28A@120V	>0.9	<20	25-42V	700mA±5%	85° C	0° C	50	Phase Cut	5 to 100%	83%

WIRING:



Lead Lengths

Black	6"	Blue	6"
White	6"	Red	6"

Dimmer Compatibility Chart on page 3

SAFETY & PERFORMANCE:

- Class P Listed
- Class A sound rating
- No PCBs
- Open/Short Circuit Protection
- LED driver has a life expectancy of 50,000 hours at Tcase of ≤75°C
- Warranty: 5 yrs based on max case temp of 75°C*
- Input/Output Isolation
- Surge Protection (2 KV)
- Title 24 Compatible (Depending on LED)
- Class 2

INSTALLATION:

- LED drivers shall be installed inside electrical enclosures
- 22 AWG 600V/105C tinned stranded copper lead-wires are required to use in installation
- Max Remote installation distance is 33 ft

*AC Electronics/AC LED Power Designs warrants to the purchaser that each LED Driver will be free from defects in material or workmanship for a period of 5 years from date of manufacture when operated at max case temp of up to ≤75°C when properly installed and under normal conditions of use. See aceleds.com for complete warranty policy.



3401 Avenue D, Arlington, TX 76011 • 800-375-6355 • www.aceleds.com

Data is based upon tests performed by AC Electronics in a controlled environment and representative performance. Actual performance can vary depending on operating conditions. Specifications are subject to change without notice. All specifications are nominal unless otherwise noted.

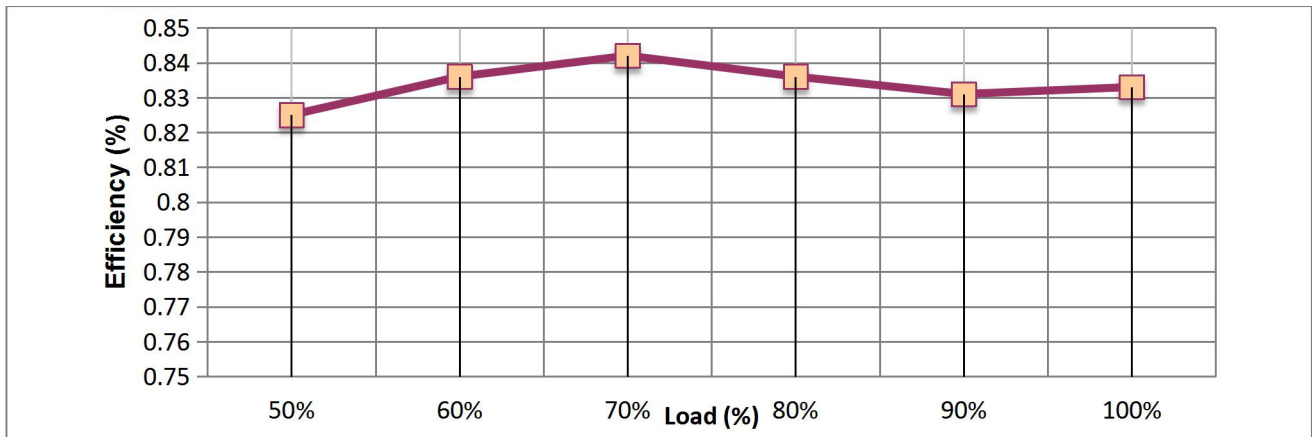




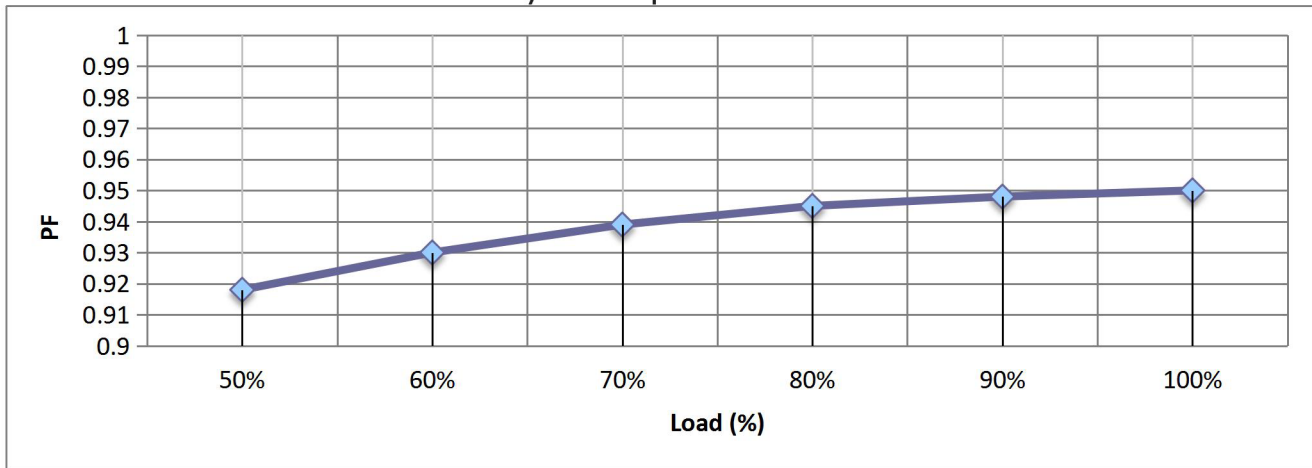
“Match-Book Sized” LED Driver Family

The Smallest Possible Form Factors

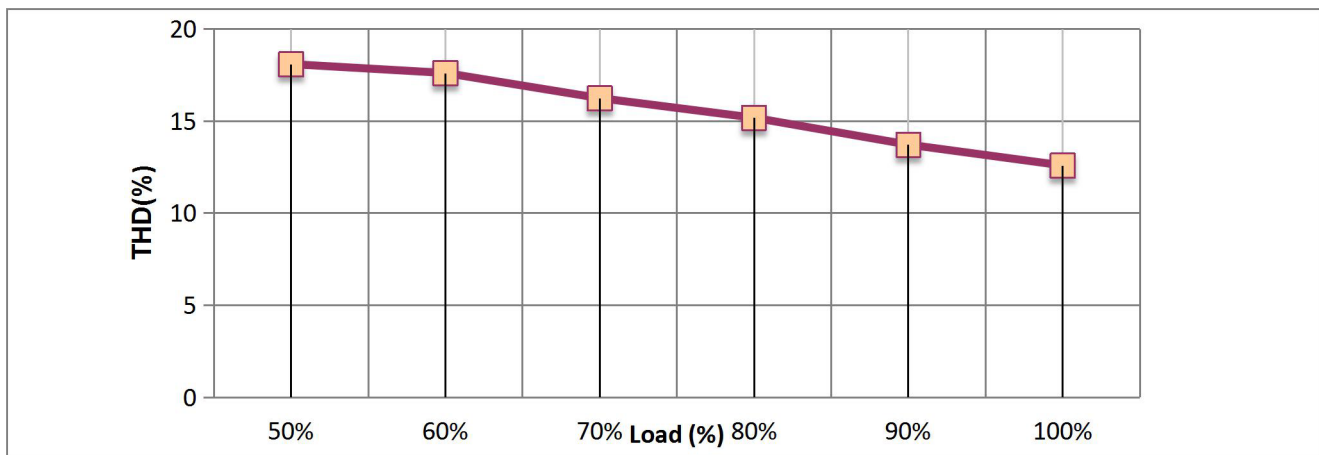
AC30CT700K4T



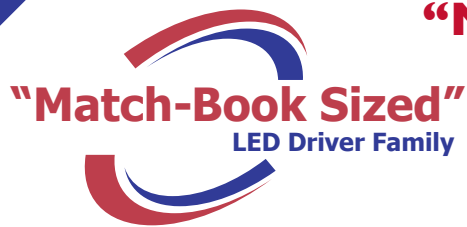
Efficiency Vs. Output Power



Power Factor Vs. Output Power



THD Vs Output Power



“Match-Book Sized” LED Driver Family
The Smallest Possible Form Factors
AC30CT700K4T

Dimmer Compatibility		
Manufacturer	Dimming Type	AC30CT700K4T
Lutron/Skylark SF-103P	LEADING	YES
Lutron/Skylark S600P	LEADING	YES
Lutron/Skylark DV-103P	LEADING	YES
Lutron/NTLV-600	LEADING	YES
Lutron/DVPDC-203P	LEADING	NO
Lutron/DVCL-153P	LEADING	YES
Leviton/IPI06	LEADING	NO
Leviton/6633-P	LEADING	YES
Leviton/6615-P	TRAILING	YES
Leviton/6684	LEADING	NO
Leviton/6613-P	LEADING	NO
Leviton/RPI06	LEADING	YES
Leviton/6674	LEADING	YES